

QUALITY FIREPLACES FOR LIFE.

KOZY HEAT FIREPLACES | SLAYTON 42S & SLAYTON 36



Slayton 42S shown with Rectangle screen front in Titanium, Copper glass and optional Rock media

# SLAYTON 42S & SLAYTON 36

DIRECT VENT LINEAR GAS FIREPLACES



Slayton 42S shown with Rectangle Brushed Stainless screen face, H2O glass and optional driftwood/rock media



Slayton 42S shown with Rectangular screen front with Brushed Nickel Overlay, Copper glass and optional Driftwood media

Slayton 42S shown with Convex screen face, Copper glass and optional driftwood media

## THE SLAYTON 42S

Our contemporary series offers affordable elegance that combines innovation and design with function and efficiency. The **Slayton 42S** linear fireplace offers a sleek modern design that will revolutionize your contemporary design ideas. A variety of media choices, accent lighting, enamel firebox lining, and dancing flames will make the **Slayton 42S** a stunning addition to your home.



Slayton 36 shown with Rectangle screen front with  
Antique Copper Overlay and H2O glass





Slayton 36 shown with Rectangle screen front, Copper glass and optional driftwood/rock media

Slayton 36 shown with Rectangle screen front and H2O glass



**THE SLAYTON 36**



# FIREPLACE OPTIONS

## Screen Fronts

Available finishes: Black, Rust, Titanium, Brushed Nickel Overlay and Antique Copper Overlay.  
 (Rectangle and Convex screen fronts also available in Brushed Stainless) Sizes shown below: Slayton 42S / Slayton 36

47-1/4" / 40-15/16"

21-3/8" / 19-1/4"



Rectangle screen front,  
Copper glass and optional driftwood media

47-1/4" / 40-15/16"

21-3/8" / 19-1/4"



Rectangle Brushed Stainless screen front,  
Copper glass and optional rock media

47-1/4" / 40-15/16"

21-3/8" / 19-1/4"



Rectangular screen front with Brushed Nickel Overlay,  
Copper glass and optional driftwood/rock media

47-1/4" / 40-15/16"

21-3/8" / 19-1/4"



Rectangular screen front with Antique Copper Overlay  
and H2O glass media

52-1/8" / 45-3/4"

26-1/4" / 24-3/8"



Beveled screen front,  
Copper glass and optional rock media

51-13/16" / 45-5/16"

26-3/16" / 24-9/16"



Convex screen front with rust finish  
and H2O glass media

## Refractory



Black enamel (curved)

*Black Enamel Standard*

## Finish Options



Black



Brushed Stainless  
*Not available in Beveled*



Antique Copper  
*Rectangle fronts only*



Brushed Nickel  
*Rectangle fronts only*

## Decorative Finishes



Titanium








Rust



## KOMFORT KONTROL™

The Komfort Kontrol remote gives you the ability to bring comfort and green technology all together into your home. With the Komfort Kontrol remote, all you have to do is decide a comfortable set point temperature on your remote and when the room temperature gets closer to the point you desire, the Komfort Kontrol remote will turn the flames down accordingly! And with our zone heating, you can save energy and enjoy time in the room you use the most by just turning down the central heat, setting your Komfort Kontrol remote, and enjoy your time around the fireplace with friends, family, or just a good book! That way you'll get to have heat where and when you need it while saving energy and money with just a click of the Komfort Kontrol remote!

### Remote control features:

-  Thermostat function
-  Flame height modulation
-  Fan speed modulation
-  Light kit modulation
-  IPI to continuous pilot

### Glass Media



Black



Cobalt Blue



H2O



Copper



White Frost

### Burn Videos



Slayton 42S



Slayton 36

### Optional Accent Media



Driftwood/Rock



Driftwood



Rock



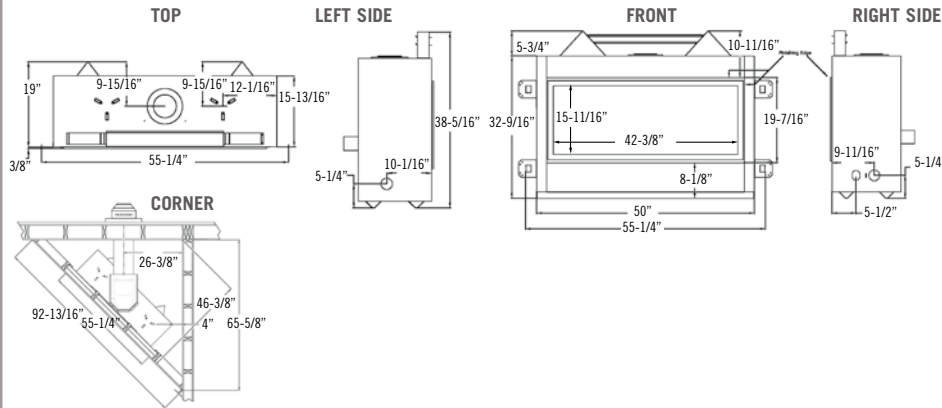
Model	Slayton 42S	Slayton 36
Height	32-9/16"	28-13/16"
Width	50"	43-5/8"
Back Width	50"	43-5/8"
Depth	15-13/16"	15-13/16"
Weight	220 lbs.	200 lbs.
Viewing Area	15-11/16" x 42-3/8"	14-1/16" x 36"
NG High / Low	42,000 / 21,000	33,000 / 17,000
LP High / Low	42,000 / 21,000	33,000 / 17,000
Efficiencies NG / LP	75% / 75%	71.2% / 73.1%
ENERGUIDE P.4	NG 75.67%	NG 68.8% / LP 72%
Valve System	IPI	IPI
Standard Refractory	Enamel (curved)	Enamel (curved)
Glass Media	Required	Required
Accent Media	Optional	Optional
Fan Kit Availability	Optional	Optional
Screen Front	Required	Required

## Clearances

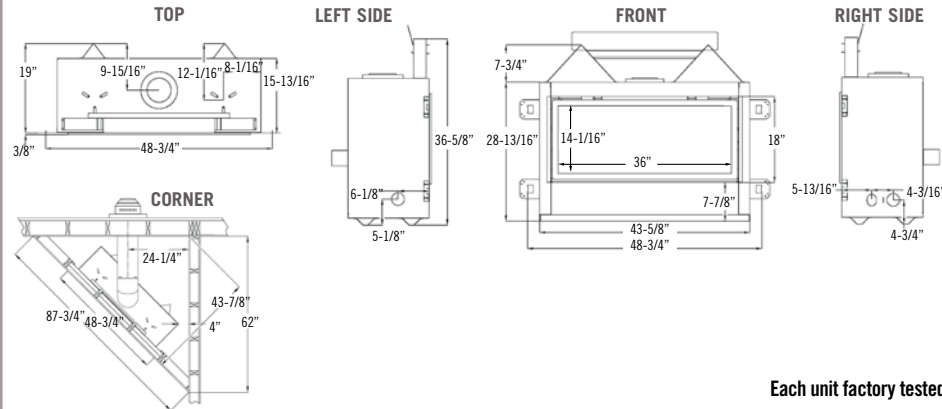
Model	Slayton 42S	Slayton 36
Top of unit face to framing	10-11/16"	7-3/4"
From unit left & right side stand-offs & back	0"	0"
Top of finishing edge to ceiling	36"	36"
Side of finishing edge to adjacent sidewall	6"	6"
Unit front to combustibles	36"	36"
Mantel projection from fireplace finishing edge*	14-1/4" *9" deep projection	14-1/4" *1" deep projection

The Slayton 42S and Slayton 36 models (Electronic Ignition) comes standard with a decorative black curved firebox lining, remote modulating valve system w/ flame, fan & Light adjustment. (remote control & light kit included)

## Slayton 42S



## Slayton 36



Each unit factory tested

Refer to the installation manuals for complete installation & venting requirements. See additional mantel clearance configurations in the installation manual.

Features, Options & Specifications are subject to change.

## Vent System & Requirements

**This fireplace is manufactured to accept 5" x 8" pipe only.**

- Simpson Dura-Vent™ DV-PRO pipe - 5" x 8"
- Selkirk Metalbestos™ direct chimney system - 5" x 8"
- Ameri-Vent/American Metal™ direct chimney system - 5" x 8"
- Metal Fab™ 5" x 8"
- Security™ 5" x 8"
- ICC™ 5" x 8"
- Kozy Heat™ flexible #800 series vent kits+ - 5" x 8"
- BDM™ direct vent chimney system - 5" x 8"
- RLH™ direct vent chimney system (vertical only) - 5" x 8"

IMPORTANT: Kozy Heat part #800-WPT or #800-WPT2, must be used on ALL horizontal vent runs.

The horizontal heat shield included with this fireplace must be installed when incorporating minimum horizontal venting.

**Elbows:** For each additional 90° elbow used after the first elbow, 3' must be subtracted from the maximum venting allowed. For each additional 45° elbow used after the first elbow, 1½' must be subtracted from the maximum venting allowed.

Note: (2) 45° elbows = (1) 90° elbow.

Maximum number of elbows for ALL vent configurations = 5

**Horizontal Terminations:** Venting configurations vary between NG & LP Gas, please consult the installation manual for requirements.

**Vertical Terminations: Minimum: 2' Maximum: 50'**

**Horizontal/Vertical Combo:** Venting configurations vary between NG & LP Gas, please consult the installation manual for requirements.

In order to continually provide the highest quality product available, features/options, specifications & dimensions are subject to change. Refer to the unit installation manual for complete installation instructions. Installation must conform with local building codes. **In some regions it may be possible that this appliance qualifies for an energy rebate. See your local dealer for details regarding promotions and qualifications.**

Product Line:



For complete information on the Kozy Heat product line, please contact us at:

