



**GreenSmart™ 2 Gas Fireplaces**



## 7 Reasons to Choose a Gas Fireplace from Fireplace Xtrordinair

There are several important factors to consider when purchasing a gas fireplace, from reliability to safety and everything in between. Here are seven reasons for choosing a Fireplace Xtrordinair gas fireplace.

### 1. Industry Innovator

Fireplace Xtrordinair has been leading the fireplace industry for over 35 years with our unique and award-winning products and technologies. We are the biggest innovators in fire, winning more than 30 Vesta Awards and pioneering revolutionary designs in the art and science of fire.



Many Fireplace Xtrordinair gas fireplaces feature the award winning Ember-Fyre™ burner which won the Popular Science “Best of What’s New” award for its amazing high definition log set and burner that is so realistic you’ll have a hard time telling our gas fires from a real wood burning fire.

## GREEN SMART™

All of our gas fireplaces feature the revolutionary GreenSmart™ 2 system: a collection of unique components such as Accent Lights, Comfort Control and a “Smart” Thermostat mode. Refer to pages 34 and 35 for a more detailed look at all the benefits GreenSmart™ 2 has to offer and why it makes our fireplaces very “green” to own and operate.

### 2. Versatility

Fireplace Xtrordinair truly offers a fireplace for every room in any home. With a wide variety of burners, heat outputs, and unique styles to choose from, we have the perfect fireplace to fulfill any of your heating and design needs.

### 3. Performance and Ease of Use

Our fireplaces are designed for maximum performance and to provide comfort and warmth under all conditions and for virtually any heating need.

Our user-friendly wall mount GreenSmart™ 2 remote control allows you to operate every function of your fireplace from the comfort of your favorite chair or mounted on the wall.



### 4. Materials

Behind the beautiful flames is high quality construction made from the finest materials around the world to ensure longevity and durability that you won’t find with any other fireplace. We stand behind the quality, workmanship and materials in our fireplaces with our “Real World” Seven Year Warranty.

### 5. American Made

Fireplace Xtrordinair proudly produces our high quality gas fireplace line at our 11 acre House of Fire manufacturing plant in Mukilteo, Washington. With over 400 dedicated employees, we are passionate about both the science and art of fire. If you’re ever in the Seattle area, we invite you to take a free tour of our world-class manufacturing plant. For more details visit [www.houseoffiretour.com](http://www.houseoffiretour.com)



### 6. Attention To Detail



Every detail counts when it comes to constructing our fireplaces. From our realistic, high definition log sets to our unique, hand-crafted faces, our attention to detail inside and out is unmatched.

### 7. Safety First



Fireplace Xtrordinair’s gas fireplaces now come standard with 2015 ANSI-compliant glass safety screens. These screens are built directly onto the fireplaces and serve as a barrier that protects against accidental contact with hot glass surfaces, reducing potential for injury. These screens are practically invisible and are so discrete that they do not detract from the fire view in any way.

This applies only to fireplaces that were built and manufactured after January 1, 2015.

*This brochure is divided into three sections.*

#### Section One - Designs

Pages 3-15

Outlines all the beautiful face designs available for your Fireplace Xtrordinair gas fireplace. Picture the irresistible appeal of fire, framed in unique and rich metalwork that includes finishes such as hand-hammered bronze patina, and a variety of architectural styles, or the 564 CF and 864 CF where no face is required.

#### Section Two - Fireplace Models

Pages 16-33

Pick the fireplace or fireplaces to make your vision happen. Our gas fireplaces are available in 9 models with different performance capacities and sizes to meet every heating need.

#### Section Three - Installation

Page 36-39

Almost all of our fireplaces provide for horizontal or vertical venting through the outside wall or ceiling, allowing you to install your fireplace almost anywhere in your home. All fireplaces ship as Natural Gas and include easy to convert LP (Propane) conversion kit.

# Architectural Double Door Collection



Rectangular double doors on 564 High Output  
Fireplace with Old World Stucco fireback

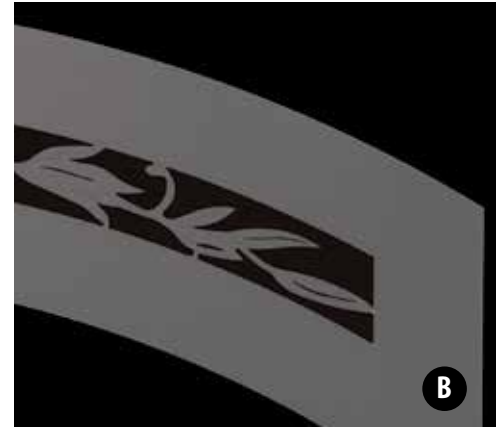
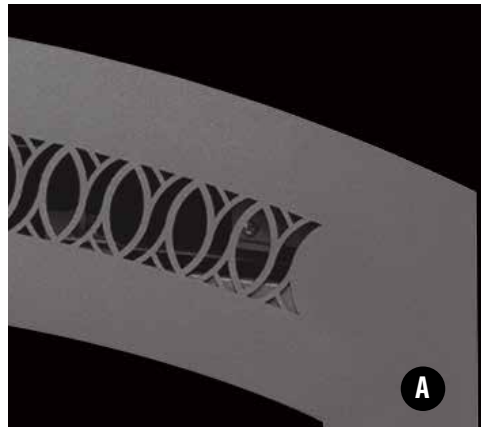
The **ARCHITECTURAL**™ double door face features a simple, yet elegant design with clean lines and rectangular black painted double doors. When closed, these beautiful doors showcase a large fire view with a traditional fireplace fee, but they can also be opened to create the illusion of a much larger fireplace.

# Arched Face Collection



*This living area features the Model 864 TRV with Black Painted Classic Arch™ face and the Common Brick fireback.*

- A** Classic Arch detail showing the trademark Classic X and O pattern detail.
- B** French Country Arch, showing the beautiful floral design motif.
- C** Model 564 HO French Country Arch, shown in black metallic painted finish, with optional Old World Stucco fireback.



## Classic Arch™ Face

The original *Classic Arch™* face may be used with any Fireplace Xtrordinair gas fireplace. The graceful arch opening that frames the fire viewing area is complemented by a parallel arch face. This combination of curves has a timeless appeal and universal application for a wide range of architectural styles.

The beautiful parallel arch appearance and fine detail of this fireplace has become a unique, trademarked characteristic of Fireplace Xtrordinair, the original arched fireplace.

## French Country™ Arch Face

The *French Country™* Arch face is a design that combines cottage style with a formal flare and it is exquisitely accomplished with a Fireplace Xtrordinair face. The combination of the engraved floral garland and the detail of the scalloped rings fits well into a country home or elegant, old chateau. The French Country face and style of decorating with its casual feel will warm the hearth of any home.



*Classic Arch in black paint finish*



*French Country Arch in black paint finish*

# IronWorks™ Face



*This great room features the Model 864 High Output with the bronze IronWorks™ face and includes the Handmade brick fireback.*

## IronWorks™ Face

- A** IronWorks features a hand-hammered detail on the functional doors.
- B** IronWorks Face shown on the 864 High Output fireplace with Old World Stucco fireback and Lodge Ring Handle option.
- C** Lodge Ring Handle Detail.



## Custom Old World Design

The *IronWorks™* face is a study in craftsmanship and includes hand beveled edges, hammered, textured surfaces and fine details. The operable doors are finished on the inside and out to further enjoy the beauty of the fire and the Ironworks face with the doors open. You have the option of adding the timeless Lodge Ring handle.

## Hand-Finished Patina

The bronze patina finish is hand applied by skilled artisans and absorbed deep into the metal giving it the luster and beauty of an oil-rubbed bronze art piece. Each IronWorks face is individually crafted hand-polished and fired in an oven which imparts unique color subtleties with no two finishes alike. This bronze patina finish is a "living color" which will age and deepen over time.





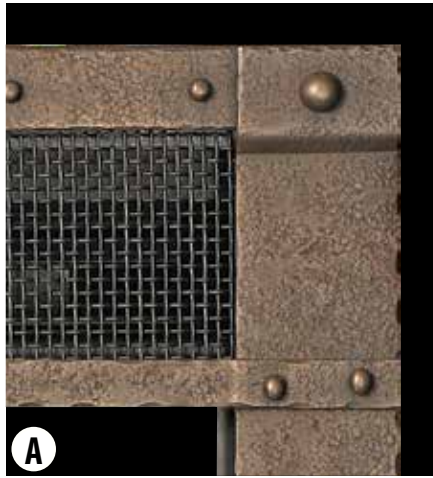
# Timberline™ Face

*This bedroom features the Model 564 High Output with the bronze Timberline™ face and includes the Old World Stucco fireback.*



## Timberline™ Face

- A** Timberline features a hand-hammered detail
- B** Timberline Face shown on the 864 High Output fireplace the Ledgestone fireback.
- C** Timberline Face, Top Center Detail.
- D** Timberline Face, Bottom Center Detail.



## Custom Old World Design

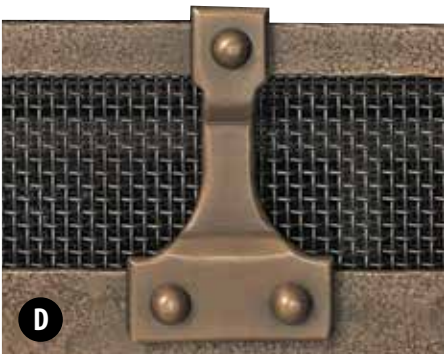
The *Timberline™* face is made by in-house blacksmiths and features a custom, hand-hammered border surrounding a large, open viewing area. Intricate styling, hand-beveled edges and attention to detail give the Timberline Face old world charm and a unique look that is unlike any face available.

## Hand-Finished Patina

The bronze patina finish is hand applied by skilled artisans and absorbed deep into the metal giving it the luster and beauty of an oil-rubbed bronze art piece. Each IronWorks™ face is individually crafted hand-polished and fired in an oven which imparts unique color subtleties with no two finishes alike. This bronze patina finish is a “living color” which will age and deepen over time.



**C**



**D**



**B**

# Artisan™ Faces



*This rustic great room features the Model 864 High Output with the Artisan Charcoal face and Common Brick fireback.*

## Artisan™ Face Collection

The Artisan™ fireplace face design and craftsmanship are reminiscent of the ironwork in the Great Lodges of Europe and America. The Artisan face is hand-forged and hammered by master blacksmiths. Each face bears unique, subtle characteristics from the hands of its creator, making it an individual work of art in iron.

The face features a wrought iron window detail of chiseled and twisted steel framing the soft curve of a large glass viewing area.

A convection chamber which circulates heated room air around the appliance is concealed by a forged air intake and hot air return grill. Variations in the hand-forged metal texture will create an infinite variety of firelight reflections, whether you choose charcoal paint or hand-rubbed bronze patina.



*Hand-rubbed bronze patina finish.*

The patina bronze hand-rubbed process drives the textures and colors deep into the metal - creating a unique high temperature permanent finish with subtle highlights. This process is exclusive to Fireplace Xtrordinair gas fireplaces.



*Charcoal painted finish.*



*This Arts & Crafts den features the Artisan face in Bronze Patina on a Model 864 TRV fireplace with Common Brick fireback.*

# Metropolitan™ Faces



*Model 564 High Output shown with Black Painted Metropolitan face, Fyre-Stone Rock Kit and Black Enamel fireback.*



*Model 564 Space Saver shown with Brushed Nickel Metropolitan face and Handmade Brick fireback.*

## Metropolitan™ Faces

The *Metropolitan™* face design features the same beautiful grillwork as the Classic Collection, but in a linear, retro style. The beveled edges of the Metropolitan face design also create an intriguing, three-dimensional appearance.



*Metallic Black Painted Metropolitan Face.*



*Brushed Nickel Metropolitan Face.*  
**LIMITED AVAILABILITY**

# Grills/Louvers and Studio Trim



564 Space Saver™ shown with Black Louver Set, Brushed Nickel Studio Trim, and Black Painted Fireback

For those looking for an inexpensive face, the 568 and 864 models offer a simple, clean looking top and bottom Grill Set or top and bottom Louver Set. Louver Sets are available in both Black Paint or Brushed Nickel finish. On the 564 model these two face designs can be enhanced with the Studio Trim option that fits around the perimeter of the Grill or Louver Sets, framing the fire like a beautiful picture. The Studio Trim is available Satin Black or Brushed Nickel and can be ordered in a three-piece set for hearth mount installations or four-piece set for wall mount installations.



Basic Grill Set shown with Brushed Black Satin Studio Trim



Black Painted Louvers Shown With Brushed Nickel Studio Surround Trim

## Trim Dimensions For 564's ONLY

Black 4-Sided  
Nickel 4-Sided  
41 3/4" W x 37" H

# Shadowbox Face



564 Space Saver™ shown with Brushed Nickel Shadowbox™ and Stainless Steel fireback option.

The Shadowbox™ face projects 3 1/2" out from your fireplace facing in multiple levels creating a frame for the delightful fire. The Shadowbox™ conceals the convection openings and the controls to give the fireplace a linear, contemporary appeal. The face is available with a subtle reverse bevel in either bold brushed nickel or sleek brushed satin black (564 only), layered with a subtle bevel on top of a black painted frame. This combination defines contemporary elegance.

Concealed manual controls are within easy reach to activate the flames, adjust the interior light level or change the convection blower output to your desired mood or comfort zone. On the 564 Space Saver™ and 864 TRV upgrade to a full function hand-held GreenSmart™ 2 remote if you wish.



Brushed Black Satin Shadowbox Face  
Shown with optional Black Enamel Fireback

## Face Dimensions

### For 564's

45 1/4" W x 32 1/4" H

### For 864's

50" W x 38 1/16" H

LIMITED AVAILABILITY



Brushed Nickel Shadowbox Face  
Shown with optional Stainless Steel Fireback

# Bed & Breakfast™



SEE VIDEO  
of this product burning



*This kitchen features the Bed & Breakfast fireplace with the Artisan Bronze Patina hand-hammered face and Brick Beehive interior.*

Heating Capacity:  
up to 650 sq. ft.

BTU/Hr. Input Range :  
6,000 (NG) 5,000 (LP) to 16,500 (NG/LP)

Steady State Efficiency (On High):  
Up to 77.94% NG, 81.71% LP

EnerGuide P4 Efficiency  
65.21% (NG) 68.97% (LP)



## Bed & Breakfast™ GreenSmart™ 2 with Remote

The name Bed & Breakfast™ suggests intimacy and coziness, this gas fireplace embodies these very ideals. The Bed & Breakfast™ is designed for corner, flat wall or limited space installations in small intimate settings such as bedrooms, baths and kitchens. The "Portrait" design of the fireplace offers high heat transfer, neo-ceramic glass and a generous fire viewing area (303 sq. in.). With the award winning Ember-Fyre™ burner and high definition log set, the Bed & Breakfast™ fireplace gives you the ability to add a beautiful gas fireplace virtually anywhere in your home. Enjoy the flexibility of the Comfort Control™ which allows you to turn the flame down 70%! For maximum heat turn on the quiet 90 CFM blower to circulate heated air throughout the room.

Use your fireplace year-round, by using the standard Accent Light. The Accent Light adds warm, dramatic highlights to the logs and optional liners, and can be used when the fire is on or off. This fireplace includes the GreenSmart™ 2 Remote for the ultimate in convenience and efficiency.

### Face Choices

Choose from one of five hand crafted exterior looks. Faces measure 21" w x 35" h. Glass measure 16-1/2" w x 21-1/4" h.



Black Painted  
Classic Arch™ Face



Brushed Nickel  
Classic Arch™ Face



Black Painted French  
Country™ Arched Face



Charcoal Painted  
Artisan™ Face



Bronze Patina  
Artisan™ Face

### Liner Options

The Bed & Breakfast comes standard with a black painted interior. Upgrade your fire with one of three beautiful interior liners.



Tumbled Travertine  
Stone



Cast Iron Shell



Brick Beehive



### Custom Cabinets

Install your Bed & Breakfast™ fireplace in a pre-built custom cabinet. Our dealers offer a wide variety of styles and finishes to compliment your home decor. This cabinet allows for quick and easy installation of your fireplace in any room with virtually no remodeling.

# 564 Space Saver™



**SEE VIDEO**  
of this product burning



Web address:  
[vimeo.com/17605037](http://vimeo.com/17605037)

*This livingroom features the 564 Space Saver with the Black Painted French Country™ face and LedgeStone fireback.*

**Heating Capacity:**  
up to 950 sq. ft.

**BTU/Hr. Input Range :**  
5,100 (NG) 4,200 (LP) to 20,500 (NG/LP)

**Steady State Efficiency (On High):**  
Up to 81.09% NG, 84.06% LP

**EnerGuide P4 Efficiency**  
67.7% (NG) 70.11% (LP)

## 564 Space Saver Face Options



**Black Grill Set**  
(Arch Accent is removable)  
36 1/4" W x 30 1/4" H



**Black Painted Louver Set**  
36 1/4" W x 30 1/4" H



**Black Painted Metropolitan™**  
36 1/8" W x 29 1/16" H



**Brushed Nickel Plated Metropolitan™**  
36 1/8" W x 29 1/16" H



**Black Painted Classic Arch™**  
36 1/8" W x 29 1/16" H



**Black Painted French Country™**  
36 1/8" W x 29 1/16" H

## 564 Space Saver™ GreenSmart™ 2

The 564 Space Saver™ is designed to offer comfortable heat for the smaller rooms of your home. With its consistent, radiant and convective heat and the reduced dimensions, this fireplace is ideal for zone heating in bedrooms, dens and intimate spaces that do not require a great deal of heat.

The realistic flame along with the heat output can be easily adjusted with our Comfort Control™. This switch allows you to turn the back burner off while maintaining the front fire and glowing embers, giving the fireplace the ability to be utilized even on warmer spring or fall days.

The 564 Space Saver™ can be personalized for your home. Choose from something as simple as the basic grill or one of many different upgrade face options in various textures and designs. An optional 180 CFM fan increases movement of heated air around the firebox, maximizing heat transfer and performance.

### Decorative Fireback Design Options

Personalize the inside of your fireplace with one of our many fireback options.



• Reversible Common Brick/Herringbone Brick



• Reversible Diamond Mosaic/Old World Stucco



• Handmade Brick

• Ledgestone

• Stainless Steel

*Finish will patina with age.*

• Black Enamel

### Optional Cast Iron Andirons

Make your fireplace even more authentic with one of our classic cast iron andiron sets.



• Lodge Ring • Traditional Ring



Bronze Patina Artisan™  
Also available in Charcoal Paint  
36 1/8" W x 29 1/16" H



Bronze Patina IronWorks™  
Double Door  
36 1/8" W x 29 1/16" H



Bronze Patina  
Timberline™  
36 1/8" W x 29 1/16" H



Architectural  
Double Door  
36 1/8" W x 29 1/16" H



Shadowbox™  
Satin Black  
45 1/4" W x 32 1/4" H.



Shadowbox™  
Brushed Nickel  
45 1/4" W x 32 1/4" H.

### Features

- Tempered glass: " 30" W x 16-3/4" H\*
- Low visibility ANSI approved glass safety screen.
- Split-flow Dancing-Fyre™ burner with high definition logs and embers for realistic flame.
- 8" Top and rear vent option on same unit.
- Accent Light

\* Viewing area will vary with face design.

### Additional Options:

- Wall Thermostat
- Basic Remote Control
- GreenSmart™ 2 Remote Control NG & LP
- On/Off Timer
- 180 CFM Convection Fan

# 564 Clean Face™



**SEE VIDEO**  
of this product burning



Web address:  
[vimeo.com/17605037](https://vimeo.com/17605037)

*This living room features the 564 Clean Face with the Tile Trim Kit and Black Enamel fireback.*

Heating Capacity:  
up to 950 sq. ft.

BTU/Hr. Input Range :  
5,100 (NG) 4,200 (LP) to 20,500 (NG/LP)

Steady State Efficiency (On High):  
Up to 81.09% NG, 84.06% LP

EnerGuide P4 Efficiency  
67.7% (NG) 70.11% (LP)

## 564 Clean Face™ GreenSmart™ 2 with Remote

The 564 Clean Face™ is the perfect choice for anyone looking to have a clean, tight fire view with no grills or facing. Its sleek, clean appearance allows the mantle or surround and the Dancing-Fyre™ log set to be the focal point of the room. The 564 Clean Face™ is ideal for any small to mid-sized home or living space. Its transitional design and flexible installation options allow it to make a statement in both contemporary and traditional homes.

The 564 Clean Face™ is a deluxe unit that includes the new GreenSmart™ 2 Wall Mount Remote Control and convection fan. Both of these items add efficiency and boost performance. And the wall mounted remote control adds convenience of operation from your couch or the wall holster.

### Decorative Fireback Design Options

Personalize the inside of your fireplace with one of our many fireback options or leave it standard with the Black Painted Fireback.



• Reversible Common Brick/Herringbone Brick



• Handmade Brick

• LedgeStone



• Reversible Diamond Mosaic/Stucco



• Stainless Steel

• Black Enamel

*Finish will patina with age.*

### Features

- Tempered glass: 30" W x 16-3/4" H
- Low visibility ANSI approved glass safety screen.
- Split-flow Dancing-Fyre™ burner with high definition logs and embers for realistic flame.
- Top and rear vent option on same unit.
- Accent Light
- 180 CFM Convection Fan
- Wall Mount Remote

### Additional Options:

- Adjustable Tile Trim Kit

### Optional Cast Iron Andirons

Make your fireplace even more authentic with one of our classic cast iron andiron sets.



• Lodge Ring



• Traditional Ring

# 564 Diamond-Fyre™

**SEE VIDEO**  
of this product burning



Web address:  
[vimeo.com/17605037](http://vimeo.com/17605037)



*This living room features the 564 Diamond-Fyre™ with the Brushed Nickel Shadowbox face and Stainless Steel fireback.*

**Heating Capacity:**  
up to 950 sq. ft.

**BTU/Hr. Input Range :**  
11,310 (NG) 10,780 (LP) to 20,500 (NG/LP)

**Steady State Efficiency (On High):**  
Up to 80.16% NG, 78.40% LP

**EnerGuide P4 Efficiency**  
71.69% (NG) 66.91% (LP)

## 564 Diamond-Fyre Face Options



**Black Grill Set**  
(Arch Accent is removable)  
36 1/4" W x 30 1/4" H



**Black Painted Louver Set**  
36 1/4" W x 30 1/4" H



**Black Painted Metropolitan™**  
Also available in Nickel  
36 1/8" W x 29 1/16" H



**Black Painted Classic Arch™**  
36 1/8" W x 29 1/16" H



**Black Painted French Country™**  
36 1/8" W x 29 1/16" H



**Bronze Patina Artisan™**  
Also available in Charcoal Paint  
36 1/8" W x 29 1/16" H

## 564 Diamond-Fyre™ GreenSmart™ 2 with Remote

The 564 Diamond-Fyre™ does not utilize logs and embers. Instead, a sleek black enamel fire container holds the dancing flames. Glowing crushed glass lit from below with the standard accent lights, surrounds the fire and sparkles with tiny reflections of the flames. Firebacks are required, and you can choose the black painted fireback or opt for the black enamel or brushed stainless steel fireback which reflects the ever-changing flames, creating the illusions of multiple fires. Select from the three colors of crushed glass for the firebox floor- Platinum, Cobalt or Bronze for your own customized display.

The 564 Diamond-Fyre™ includes a single ribbon burner that will heat an area of up to 950 square feet. The 564 Diamond-Fyre™ comes standard with the fan and the GreenSmart™ 2 wall mounted remote control.

## Features

- Tempered glass: 30" W x 16-3/4" H\*
- Safety screen in front of glass.
- Diamond-Fyre™ ribbon burner
- 8" top or rear vent options
- Under Lite Interior Accent Light
- 180 CFM convection fan
- GreenSmart™ 2 wall mounted remote control

\* Viewing area will vary with face design.

## Choose A Fireback

You have the option of adding a simple black painted interior or choice of stainless steel or black enamel interior liners that dramatically reflects the flame and glowing floor media in a multitude of patterns.



Black Painted



Stainless Steel  
*Finish will patina with age*



Black Enamel

## Choose One of Three Decorative Glass Medias

Beautiful decorative glass media comes in your choice of three colors. The reflective glass media is bottom lit with the adjustable accent light and with the flames gives the impression of millions of glowing shimmering gemstones.



Reflective Platinum



Reflective Bronze



Reflective Cobalt Blue



Bronze Patina  
IronWorks™ Double Door  
36 1/8" W x 29 1/16" H



Bronze Patina  
Timberline™  
36 1/8" W x 29 1/16" H



Architectural  
Double Door  
36 1/8" W x 29 1/16" H



Shadowbox™  
Satin Black  
45 1/4" W x 32 1/4" H



Shadowbox™  
Brushed Nickel  
45 1/4" W x 32 1/4" H



# 564 High Output™



**SEE VIDEO**  
of this product burning

Web address:  
[vimeo.com/17605037](http://vimeo.com/17605037)

*This bedroom features the 564 High Output with the IronWorks™ face, Lodge Ring handle and Old World Stucco fireback.*

**Heating Capacity:**  
up to 1,400 sq. ft.

**BTU/Hr. Input Range :**  
10,400 (NG) 7,500 (LP) to 35,000 (NG/LP)

**Steady State Efficiency (On High):**  
Up to 78.1% NG, 79.69% LP

**EnerGuide P4 Efficiency**  
64.18% (NG) 66.02% (LP)

## 564 High Output Face Options



**Black Grill Set**  
(Arch Accent is removable)  
36 1/4" W x 30 1/4" H



**Black Painted Louver Set**  
36 1/4" W x 30 1/4" H



**Black Painted Metropolitan™**  
36 1/8" W x 29 1/16" H



**Brushed Nickel Plated Metropolitan™**  
36 1/8" W x 29 1/16" H



**Black Painted Classic Arch™**  
36 1/8" W x 29 1/16" H



**Black Painted French Country™**  
36 1/8" W x 29 1/16" H



## 564 High Output™ GreenSmart™ 2 with Remote

The 564 High Output™ GreenSmart™ 2 fireplace offers the same viewing area of the Space Saver™ fireplace, but with high heat transfer neo-ceramic glass, choice of three burners and is designed to heat a larger area - up to 1,400 square feet. With 35,000 BTU input and standard fans this fireplace delivers the heat! This high output fireplace uses “film cooling” technology allowing for close clearances to combustibles, letting you install the mantel close to the fireplace in a traditional location. For added convenience the 564 High Output™ includes the GreenSmart™ 2 Remote Control. You can heat your family’s main living area or duct up to 30% of the heat to adjoining room(s) 20 feet away using the optional Power Heat Duct Kit, one or two kits can be used.

### Interiors - Pick The Look That You Like!

#### Ember-Fyre™

The Award-Winning Ember-Fyre™ burner comes standard with seven piece high definition logset and grate. This burner allows for a choice of seven different firebacks.



#### Diamond-Fyre II™

The contemporary Diamond-Fyre II™ burner offers the choice of Fyre-Stone™ Rock Kit or Driftwood Fire Art™ instead of the traditional logset. You also have the choice of Black Painted, Stainless Steel or a luscious Black Enamel Fireback to complete the look.

*Note: Stainless Steel finish will patina with age.*



#### Dancing-Fyre™

The classic Dancing-Fyre™ burner comes standard with a five piece high definition logset, grate and the black painted fireback.



#### Optional Cast Iron Andirons

Make your fireplace even more authentic with one of our classic cast iron andiron sets.



**Bronze Patina Artisan™**  
Also available in Charcoal Paint  
36 1/8" W x 29 1/16" H



**Bronze Patina IronWorks™ Double Door**  
36 1/8" W x 29 1/16" H



**Bronze Patina Timberline™**  
36 1/8" W x 29 1/16" H



**Architectural Double Door**  
36 1/8" W x 29 1/16" H



**Shadowbox™ Satin Black**  
45 1/4" W x 32 1/4" H



**Shadowbox™ Brushed Nickel**  
45 1/4" W x 32 1/4" H.

# 864 TRV - Top or Rear Vent

**SEE VIDEO**  
of this product burning



Web address:  
[vimeo.com/17605715](http://vimeo.com/17605715)

*This great room features the 864 TRV with the Charcoal Painted Artisan™ face and Diamond Mosaic fireback.*

**Heating Capacity:**  
up to 1,400 sq. ft.

**BTU/Hr. Input Range :**  
10,000 (NG) 8,000 (LP) to 31,000 (NG/LP)

**Steady State Efficiency (On High):**  
Up to 80.38% NG, 81.21% LP

**EnerGuide P4 Efficiency**  
68.36% (NG) 67.79% (LP)

## 864 TRV Face Options



**Black Grill Set**  
(Arch Accent is removable)  
41" W x 36 5/8" H



**Black Painted Louver Set**  
41" W x 36 5/8" H



**Black Painted Metropolitan™**  
40 3/4" W x 35 1/2" H



**Brushed Nickel Metropolitan™**  
40 3/4" W x 35 1/2" H

Limited Stock



**Black Painted Classic Arch™**  
40 3/4" W x 35 1/2" H



**Black Painted French Country™**  
40 3/4" W x 35 1/2" H

## 864 TRV - Top/Rear Vent GreenSmart™ 2

The 864 TRV is the perfect choice for anyone looking to display a big, beautiful fire without the need to heat a large area. This fireplace offers the ultimate heating flexibility, allowing you to control the heat output to a comfortable setting that is just right for you. The 864 TRV can provide great supplemental heat to your home on those cold winter nights or use the Comfort Control™ to turn the heat down and create a romantic, relaxing fire-side for those warmer nights. The 864 TRV fireplace features a beautiful 10 piece high definition log set and glowing embers and is enhanced further with rear accent lights that add a warming glow to the interior of the fireplace, even when the fire is off. The 864 TRV truly is a fireplace that can be used 365 days a year.

An optional 180 CFM fan can be added to increase the movement of heated air around the firebox, maximizing heat transfer and performance.

### Features

- Tempered glass: 34-1/2" W x 22-1/4" H\*
- Safety screen over the glass.
- Split-Flow Dancing-Fyre™ burner with high definition logs and embers for realistic flame.
- 8" top or rear vent options.
- Accent Light

\* Viewing area will vary with face design.

### Additional Options:

- Wall Thermostat
- Basic Remote
- GreenSmart™ 2 Remote Control NG & LP
- On/Off Timer
- 180 CFM Convection Fan
- Power Heat Duct Kit

### Optional Decorative Fireback Designs

Personalize the inside of your fireplace with one of our many fireback options or leave it standard with the Black Painted Fireback.



• Reversible Common/Herringbone Brick



• Reversible Diamond Mosaic Tile/Old World Stucco



• Stainless Steel Liner  
*Finish will patina with age.*



• Black Enamel



• Handmade Brick



• Ledgestone

### Optional Cast Iron Andirons

Make a dramatic statement with a pair of our beautiful optional cast iron andirons.



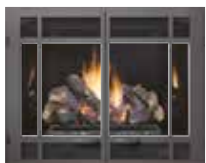
Arabesque



Colonial



Wrought Iron



Architectural  
Double Door  
40 7/8" W x 35 5/8" H



Charcoal Painted  
Artisan™  
40 3/4" W x 35 1/2" H



Bronze Patina  
Artisan™  
40 3/4" W x 35 1/2" H



Bronze Patina IronWorks™  
Double Door  
40 7/8" W x 35 5/8" H



Bronze Patina  
Timberline™  
40 7/8" W x 35 5/8" H



Brushed Nickel  
Shadowbox™  
50" W x 38 1/16" H

# 864 Clean Face™



**SEE VIDEO**  
of this product burning



Web address:  
[vimeo.com/17605715](http://vimeo.com/17605715)

*This living room features the 864 Clean Face with the Tile Trim Kit and Common Brick fireback.*



*The 864 Clean Face allows you to sheetrock right up to the edge of the fireplace. Shown with Black Enamel Fireback*

Heating Capacity:  
up to 1,400 sq. ft.

BTU/Hr. Input Range :  
10,000 (NG) 8,000 (LP) to 31,000 (NG/LP)

Steady State Efficiency (On High):  
Up to 80.38% NG, 81.21% LP

EnerGuide P4 Efficiency  
68.36% (NG) 67.79% (LP)

## 864 Clean Face™ GreenSmart™ 2 with Remote

The large, clean fire view of the 864 Clean Face showcases the highly detailed Dancing-Fyre™ log set and glowing embers from any angle in the room. This all-glass appearance shows no visible face, grills or louvers, it simply highlights the fire. All of the components on this fireplace are controlled with the easy-to-use GreenSmart™ 2 wall mounted remote control. The 864 Clean Face™ comes fully loaded and includes accent lights and powerful convection fans for maximum heating performance.

The 864 Clean Face™ Gas Fireplace is the perfect solution for anyone looking to have a big, beautiful fire that provides supplemental heat. Ideal for small to mid-sized homes or zone heating in large living spaces such as great rooms and living rooms, the 864 Clean Face™ allows you to comfortably display a gorgeous, glowing fire all year-round while being able to control the heat output to a setting that is just right for you.

## Features

- Tempered glass: 34-1/2" W x 22-1/4" H
- Split-Flow Dancing-Fyre™ burner with high definition logs and embers for realistic flame.
- Low visibility ANSI approved glass safety screen.
- Fully loaded GreenSmart™ 2 system.
- 8" top or rear vent installation options.
- Accent Lights
- Two 90 CFM Convection Fans.
- Wall Mounted GreenSmart™ 2 Remote Control.

## Additional Options:

- Black Powder Coated Trim.
- Power Heat Duct Kit for transferring heat to one additional room in your home up to 20 feet away.

## Optional Decorative Fireback Designs

The interior of the 864 Clean Face comes black painted. You have the option to personalize the inside of your fireplace with one of our beautiful fireback designs.



• Reversible Common/Herringbone Brick



• Reversible Diamond Mosaic Tile/Old World Stucco



• Stainless Steel Liner  
*Finish will patina with age.*



• Black Enamel



• Handmade Brick



• LedgeStone

## Optional Cast Iron Andirons

Make a dramatic statement with a pair of our beautiful optional cast iron andirons.



Arabesque



Colonial



Wrought Iron



# 864 High Output™



**SEE VIDEO**  
of this product burning



Web address:  
[vimeo.com/14197621](http://vimeo.com/14197621)

*This office features the 864 High Output™ with the Black Metropolitan™ face, Ember-Fyre™ burner and Handmade Brick fireback.*

**Heating Capacity:**  
up to 2,500 sq. ft.

**BTU/Hr. Input Range :**  
12,500 (NG) 9,000 (LP) to 46,700 (NG/LP)

**Steady State Efficiency (On High):**  
Up to 82.13% NG, 83.25% LP

**EnerGuide P4 Efficiency**  
71.57% (NG) 72.22% (LP)

## 864 HO Face Options



**Black Grill Set**  
(Arch Accent is removable)  
41" W x 36 5/8" H



**Black Painted Louver Set**  
41" W x 36 5/8" H



**Black Painted Metropolitan™**  
40 3/4" W x 35 1/2" H



**Brushed Nickel Metropolitan™**  
40 3/4" W x 35 1/2" H



**Black Painted Classic Arch™**  
40 3/4" W x 35 1/2" H



**Black Painted French Country™**  
40 3/4" W x 35 1/2" H

## 864 High Output™ GreenSmart 2 with Remote

The 864 High Output™ GreenSmart™ 2 fireplace offers the same viewing area as the 864 TRV fireplace, but also offers three burner choices and is designed to heat a larger area - up to 2,500 square feet. With a 46,700 BTU input, high-heat transfer neo-ceramic glass and fan, all standard, this fireplace delivers the heat! This high output fireplace uses “film cooling” technology allowing for close clearances to combustibles, letting you install the mantel close to the fireplace in a traditional location. For ease of operation and convenience the 864 High Output™ fireplace includes the GreenSmart™ 2 Remote Control. You can heat your family’s main living area or duct up to 30% of the heat to adjoining room(s) 20 feet away using the optional Power Heat Duct Kit, one or two kits can be used.

### Interiors - Pick The Burner and Look That You Like!

#### Dancing-Fyre™

The classic Dancing-Fyre™ burner comes standard with high definition, five piece logset, grate and the black painted fireback.



#### Ember-Fyre™

The Award-Winning Ember-Fyre™ burner comes standard with a seven piece high definition logset and grate. A fireback is required and this burner allows for a choice of seven different options.



### Optional Cast Iron Andirons

Make a dramatic statement with a pair of our beautiful optional andirons.



Arabesque



Colonial



Wrought Iron



Architectural Double Door  
40 7/8" W x 35 5/8" H



Charcoal Painted Artisan™  
40 3/4" W x 35 1/2" H



Bronze Patina Artisan™  
40 3/4" W x 35 1/2" H



Bronze Patina IronWorks™ Double Door  
40 7/8" W x 35 5/8" H



Bronze Patina Timberline™  
40 7/8" W x 35 5/8" H



Brushed Nickel Shadowbox™  
50" W x 38 1/16" H

# 864 See-Thru™



**SEE VIDEO**  
of this product burning



Web address:  
[vimeo.com/23510464](https://vimeo.com/23510464)

*This great room features the 864 See-Thru with the Brushed Nickel Shadowbox™ face and Stainless Steel fireback.*

**Heating Capacity:**  
up to 1,500 sq. ft.

**BTU/Hr. Input Range :**  
10,000 (NG) 8,000 (LP) to 37,500 (NG/LP)

**Steady State Efficiency (On High):**  
Up to 83.07% NG, 85.92% LP

**EnerGuide P4 Efficiency**  
70.77% (NG) 70.71% (LP)

## 864 See-Thru Face Options



**Black Grill Set**  
(Arch Accent is removable)  
41" W x 36 5/8" H



**Black Painted Louver Set**  
41" W x 36 5/8" H



**Black Painted Metropolitan™**  
40 3/4" W x 35 5/8" H



**Brushed Nickel Metropolitan™**  
40 3/4" W x 35 5/8" H

Limited Stock



**Black Painted Classic Arch™**  
40 3/4" W x 35 5/8" H



**Black Painted French Country™**  
40 3/4" W x 35 5/8" H



## 864 See-Thru GreenSmart™ 2

The 864 See-Thru depicts tranquility with a perfect balance between its firebox, logs and flames. The logs and fire have been carefully designed to give you a different look from either side. Compare the amazingly high definition, eight piece logset with any other see-thru fireplace on the market! The 864 See-Thru fireplace will give you a warm, yellow fire with glowing embers that your friends and family will have a hard time telling apart from a real wood fire.

### A Fireplace With Two Points of View

With two sides to the 864 See-Thru Fireplace you get the ability to personalize each room using a different face on each side of the fireplace. Choose from the Basic Grill Set in black or pick one of the 12 beautiful upgradable faces in a wide variety of finishes and designs.

### Optional Decorative Firebacks

Personalize the inside of your fireplace with one of our many fireback options or leave it standard with the Black Painted Fireback.



• Reversible - Straight or Herringbone Brick



• Stainless Steel

• Black Enamel

*Finish will patina with age.*



• Reversible - Diamond Mosaic Tile or Stucco

### Optional Cast Iron Andirons

Make a dramatic statement with a pair of our beautiful optional andirons.



Arabesque



Colonial



Wrought Iron



Architectural  
Double Door  
40 7/8" W x 35 5/8" H



Charcoal Painted  
Artisan™  
40 3/4" W x 35 5/8" H



Bronze Patina  
Artisan™  
40 3/4" W x 35 5/8" H



Bronze Patina  
IronWorks™  
Double Door  
40 7/8" W x 35 5/8" H



Bronze Patina  
Timberline™  
40 7/8" W x 35 5/8" H



Brushed Nickel  
Shadowbox™  
50" W x 38 1/16" H

All fireplaces come standard with these great GreenSmart™ 2 features:

## Comfort Control™

The Comfort Control™ switch operates the split-flow burner system standard on all models, except the 564 Diamond-Fyre™. Push the button to OFF and your Comfort Control™ will turn off the rear burner while leaving the front burner on for an attractive flame appearance when less heat is desired. This feature offers a turn-down ratio of up to 72 percent. Push the button to ON and the rear burner will light, giving you maximum heat when you need it. This offers you the most beautiful fire and more heating flexibility than any other product keeping you comfortable year round.

## Accent Lights

Accent Light(s) are a standard feature in all Fireplace Xtordinaire fireplaces. This feature adds a warm glow to the interior of the firebox and can be used when the fire is on or off. Perfect as a night light or soft indirect light for the room, the Accent Light allows visual enhancement of your appliance 365 days a year.



Accent Light Off



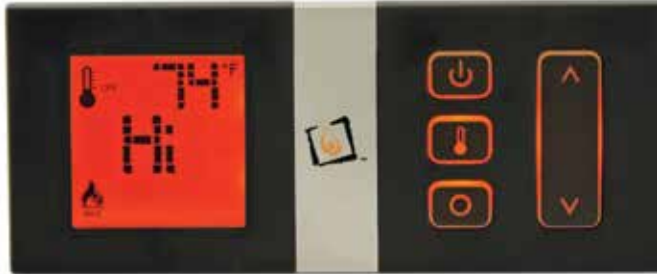
Accent Light On

## Multi-Function Wireless Thermostat Remote Control

(Optional on 564 SS & 864 TRV)

Functions of the Remote:

- Thermostat
- Flame Adjustment
- Fan Operation
- Accent Light Control
- Comfort Control™
- GreenSmart™ 2 /CPI Pilots



## Choice of Pilot Modes

Easily Switch Between Pilot Modes:

GreenSmart™ 2 - Use in Summer or milder heating days to reduce gas consumption from the Pilot.

CPI - Continuous Pilot - Keeps Pilot on at all times. This warms the vent system to maintain strong draft in chimney and reduce moisture condensation on glass. Used in Fall/Winter or in cold climates areas.

## Control Settings



### Flame Adjustment

Adjust the height/heat of the flame as

you desire. 6 levels of flame height to choose from. Not used while in Smart Thermostat setting.



### Convection Fans

Twin 90 CFM fans (single 90 CFM fan on Bed Breakfast) circulates room

air around the firebox and delivers heated air into your home. 6 speeds to choose from.



### Accent Lights

Create a warm glow to highlight the fireplace interior. Use

year round to add ambiance. 6 levels to choose from.



### Comfort Control™

Turn off the back burner which lowers the BTU input. In this way you burn less gas on milder

days when you want to enjoy a fire and not over heat your living area. Not applicable to the 564 Diamond-Fyre™ model.



### Manual Setting

ON/OFF  
Fire and Fan stay where you manually set it.

### Thermostat Setting

Fireplace turns ON or OFF to maintain your desired home/room temperature.

### Smart Thermostat Setting

Fire height will adjust automatically (up or down or OFF) to better maintain your temperature setting. A greener way to heat.

Use your smart phone or iPad™ to watch a video of home this GreenSmart™ 2 remote works.



## GreenSmart™ 2 Split-Flow Burners

Fireplace Xtrordinaire™ burners are “two-stage” allowing for the back burner to be turned on and off with your Comfort Control. More comfortable, more efficient. Your fireplace will be equipped with either the Dancing-Fyre™, Ember-Fyre™ or Diamond-Fyre™ burner. This feature is not available on the 564 SS Diamond-Fyre™ model.

**Popular  
Science**



### Dancing-Fyre™ Burner:

The Dancing-Fyre™ is found in our 564 Space Saver™, 564 Clean Face™ 864 Clean Face™, 864 TRV and 864 See Thru fireplaces and as an option on the 564 High Output™ and 864 High Output™ models. These models feature high definition log set offering a beautiful fire and glowing ember effect.



### Ember-Fyre™ Burner:

The Award-Winning Ember-Fyre™ burner is found in the 21 TRV, and as an option on the 564 High Output and 864 High Output models. The Ember-Fyre™ is known for its gorgeous, dancing yellow-flame fire flickering around a high definition log set and glowing embers for the most realistic “wood-like” fire available.



### Diamond-Fyre™ and Diamond-Fyre™ II Burner:

The Diamond-Fyre™ Burner is found in the 564 Diamond-Fyre™ Fireplace. This fireplace features 10 accent lights shining up through the glass burner and around the fire pot adding ambiance year around whether you are enjoying your fireplace with your fire on or off. You have 3 choices of glass from the Platinum color which looks like sparking white diamonds to the deep blue of the Cobalt glass which resembles shimmering sapphires.

The Diamond-Fyre™ II Burner is an option in the 564 High Output Fireplace. This burner features under lit glass as well, but teamed with either the Fyre-Stone™ Rock Kit or the Driftwood Fire Art for a beautiful, eclectic blend of media.



Bronze Glass  
Media

Platinum Glass  
Media

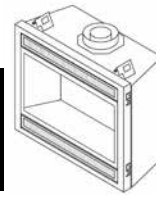
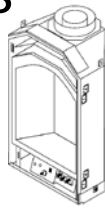
Cobalt Glass  
Media

# GreenSmart™ 2 Fireplaces

The dimensions and clearances on this page are for reference only!

Refer to the Owner's Manual prior to installation

\*Ember-Fyre™ Protected By U.S. Patent #6,602,068, #6,443,726 and other patents pending.



SPECIFICATIONS	Bed & Breakfast™	564 Space Saver™ & 564 Clean Face™	564 Diamond-Fyre™
Height (including standoffs)	35-7/8"	33-1/4" (SS), 36-1/4" (CF)	33-1/4"
Width	20-1/8" Front	36-1/4"(SS) 38-1/4 (CF)	36-1/4"
Depth	13 5/8" Top Vent, 12 3/8" Rear Vent	16" (SS), 18-5/8" (CF)	16"
Flue Diameter	8"	8"	8"
Unit Weight	97 lbs.	155 lbs.	155 lbs.
Burner System	Ember-Fyre™*	Dancing-Fyre™	Diamond-Fyre™
Glass Area (will vary with face design)	17-5/8" W x 23-1/4" H	30" W x 16-3/4" H.	30" W x 16-3/4" H.
Powerful Fan	YES - 90 CFM (Standard)	YES - 180 CFM (Optional on SS, Standard on CF)	YES - 180 CFM (Standard )
Power Duct Option	NO	NO	NO

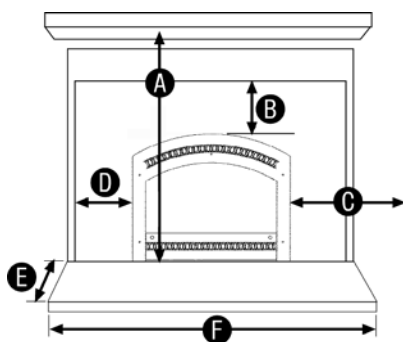
**PERFORMANCE\*** \*Gas appliance performance can be affected by negative pressure in the home and by prevailing atmospheric conditions. Efficiency may vary or fire officials about restrictions and installation requirements in your area.

Heating Capacity*	Up to 650 Sq. Ft.	Up to 950 Sq. Ft.	Up to 950 Sq. Ft.
BTU Input High/Output Low (NG)*	16,500 - 6,000 (64% Turndown)	20,500 - 5,100 (75% Turndown)	20,500 - 11,310 (45% Turndown)
BTU Input High/Output Low (LP)*	16,500- 5,000 (70% Turndown)	20,500 - 4,200 (80% Turndown)	20,500 - 10,780 (47% Turndown)
Canada EnerGuide P4 Efficiency**	65.2% (NG) 68.97% (LP)	67.7% (NG) 70.11% (LP)	71.69% (NG) 66.91% (LP)
Steady State Efficiency (High) ***	77.94% (NG) 81.71% (LP)	81.09% (NG) 84.06% (LP)	80.16% (NG) 78.4% (LP)
AFUE (Annual Fuel Utilization Efficiency)	72.5% (NG) 72.7% (LP)	73.3% (NG) 73.4% (LP)	73.7% (NG) 74.7% (LP)

\*Heating Capacity will vary with floor plan and ceiling height, insulation and outside ambient temperature.

\*\* P4 Efficiency has been determined using CSA P4.1-02 \*\*\* Your results may vary depending on your vent configuration.

**COMBUSTIBLE CLEARANCES & FRAMING** Always consult the Owner's Manual before beginning any installation. Installation and framing information is



All Measurements taken from fireplace face.

- A= To Mantel
- B= To Top Facing
- C= To Sidewall
- D= To Side Facing
- E= Front Hearth
- F= Hearth Width

The Bed & Breakfast fireplace requires a 1" minimum clearance from face to sidewall. Combustibles can be installed up to the standoffs on the unit. If a mantel is used please see Owner's Manual for minimum clearances.

The height of the Bed & Breakfast fireplace enclosure must be a minimum of 48" above the base of the fireplace.

If placed on a raised hearth, the ceiling above the Bed & Breakfast must be at least 57" measured from the base of the fireplace.

**MINIMUM FRAMING ENCLOSURE**  
 Height 34-1/4"  
 Width 20-1/4"  
 Depth 12-3/8" RV 13-5/8" TV

A = 35-3/4" (SS)\* 38-1/2" (CF)\*  
 (measured from base of fireplace)

B = 0"

C = 1"

D = 0"

E = None Required

F = None Required

\*0" to 12" maximum mantel depth. See Owner's manual for details

**MINIMUM FRAMING ENCLOSURE**  
 Height 33-1/2" SS 36-3/4" CF  
 Width 36-1/2" SS 38-1/4" CF  
 Depth 17-1/4" SS 19-1/8" CF

A = 35-3/4" to 38-1/2"\*  
 (measured from base of fireplace)

B = 0"

C = 1"

D = 0"

E = None Required

F = None Required

\*0" to 12" maximum mantel depth. See Owner's manual for details

**MINIMUM FRAMING ENCLOSURE**  
 Height 33-1/2"  
 Width 36-1/2"  
 Depth 17-1/4"

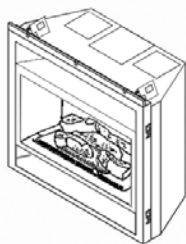
## TESTING & INSTALLATION INFORMATION

Tested and Listed by OMNI-Test Laboratories, Inc. and/or Intertek Testing Service to ANSI Z21.88b-2009 "Vented Gas-Fired Direct Fireplace Heater", CSA 2.33-2009, CGA 2.17-M91, UL 307b and CSA P4.1-09. Must be installed in accordance with all local codes, if any; if not, follow ANSI Z223.1 and requirements listed in the Owner's Manual. The Diagrams, Dimensions and Specifications shown are subject to change without notice, consult the Installation Manual for complete details.

**564**  
HO



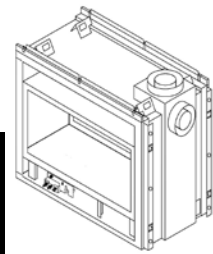
**864**  
TRV & CF



**864**  
HO



**864**  
ST



**564 High Output™      864 TRV & 864 Clean Face™      864 High Output™      864 See-Thru**

36-1/4"	38-3/8" (TRV), 44-3/4" (CF)	47-3/4"	38-1/4"
36-1/4"	41" (TRV), 42-3/4" (CF)	41"	41"
18-1/4"	19-1/4", 22" (CF)	22-1/4"	24"
8"	8" Rear or 8" Top (Top can be reduced to 6 5/8")	8" Rear or 8" Top (Top can be reduced to 6")	8" (Top vent can be reduced to 6")
175 lbs.	181 lbs. (TRV) 205 lbs. (CF)	394 lbs.	310 lbs.
Ember-Fyre™, Dancing-Fyre™, Diamond-Fyre™	Dancing-Fyre™	Ember-Fyre™, Dancing-Fyre™, Diamond-Fyre™	Dancing-Fyre™
30" W x 16-3/4" H.	34-1/2" W x 22-1/4" H	34-1/2" W x 22-1/4" H	Each side 34-1/2" W x 22-1/4" H
YES - 180 CFM (Standard)	YES - 180 CFM (Optional on TRV, Standard on CF)	YES - 260 CFM (Standard)	YES - 130 CFM (Optional)
YES (One or Two)	YES (One)	YES (One or Two)	YES (One)

*depending on vent configuration and atmospheric conditions. Contact local building*

Up to 1,400 Sq. Ft.	Up to 1,400 Sq. Ft.	Up to 2,500 Sq. Ft.	Up to 1,500 Sq. Ft.
35,000 - 10,400 (71% Turndown)	31,000 - 10,000 (68% Turndown)	46,700 - 12,500 (73% Turn Down)	37,500 - 14,700 (61% Turndown)
35,000 - 7,500 (79% Turndown)	31,000 - 8,000 (75% Turndown)	46,700 - 9,000 (81% Turn Down)	37,500 - 10,000 (73% Turndown)
64.18% (NG) 66.02% (LP)	68.36% (NG) 67.79% (LP)	71.57% (NG) 72.2% (LP)	70.77% (NG) 70.71% (LP)
78.1% (NG) 79.69% (LP)	80.38% (NG) 81.21% (LP)	82.13% (NG) 83.25% (LP)	83.07% (NG) 85.92% (LP)
67.2% (NG) 65.7% (LP)	73.8% (NG) 73.5% (LP)	75.6% (NG) 75.7% (LP)	75.4% (NG) 72.9% (LP)

*available at your local Fireplace Xtordinair dealer or on our website at [www.fireplacex.com](http://www.fireplacex.com)*

A = 40-3/4" to 48-3/4"* (measured from base of fireplace)	A = 40-3/4" to 48-3/4" TRV* 44-3/4" CF* (measured from base of fireplace)	A = 47-3/4" to 52-3/4"* (measured from base of fireplace)	A = 48-3/4" ** (measured from base of fireplace)
B = 0"	B = 0"	B = 7 3/4"	B = 0"
C = 1"	C = 1"	C = 5"	C = 3-1/4"
D = 0"	D = 0"	D = 0"	D = 2-1/8"
E = None Required	E = None Required	E = None Required	E = None Required
F = None Required	F = None Required	F = None Required	F = None Required
*0" to 12" maximum mantel depth. See Owner's manual for details	*Will vary depending mantel depth. 0" to 12" maximum mantel depth. See Owner's manual for details Note: Each face plate design varies in dim.	*Will vary depending mantel depth. 0" to 12" maximum mantel depth. See Owner's manual for details Note: Each face plate design varies in dim.	*Will vary depending mantel depth. 0" to 12" maximum mantel depth. See Owner's manual for details Note: Each face plate design varies in dim.
<b>MINIMUM FRAMING ENCLOSURE</b> Height 36-3/4" Width 36-1/2" Depth 17-3/4"	<b>MINIMUM FRAMING ENCLOSURE</b> Height 38-1/2" TRV 44-3/4" CF Width 41-1/4" TRV 42-3/4" CF Depth 20-3/4" TRV 22" CF	<b>MINIMUM FRAMING ENCLOSURE</b> Height 48" Width 41-1/4" Depth 22-3/4" TV 21-3/4" RV	<b>MINIMUM FRAMING ENCLOSURE</b> Height 38-1/2" Width 44" Depth 23"

**NOTE: Improper installation of your gas appliance or failure to operate it in accordance to the guidelines detailed in the Owner's Manual may negate your warranty and endanger your home and family. Installation information is available on our website at [www.fireplacex.com](http://www.fireplacex.com). We recommend all Fireplace Xtordinair appliances be installed and maintained on an annual basis by your Specialty Hearth Retailer.**

# GreenSmart™ 2 Fireplaces

## FRAMING

Always consult the Owner's Manual before beginning any installation. Installation and framing information



### INSTALLATION FRAMING

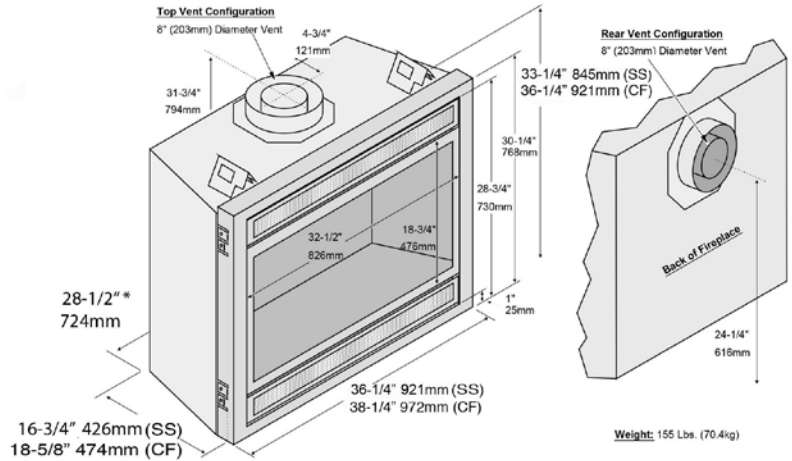
#### GUIDE FOR ALL GAS FIREPLACES

This framing guide is a basic reference. For a full installation and framing guide, scan the QR Code with your smart phone or tablet or refer to the Installation Manual.

Installation Manuals are available online at [www.fireplacex.com](http://www.fireplacex.com). Go to the product guide and select the model you are interested in and then go to Documents.

**564**  
SS/CF

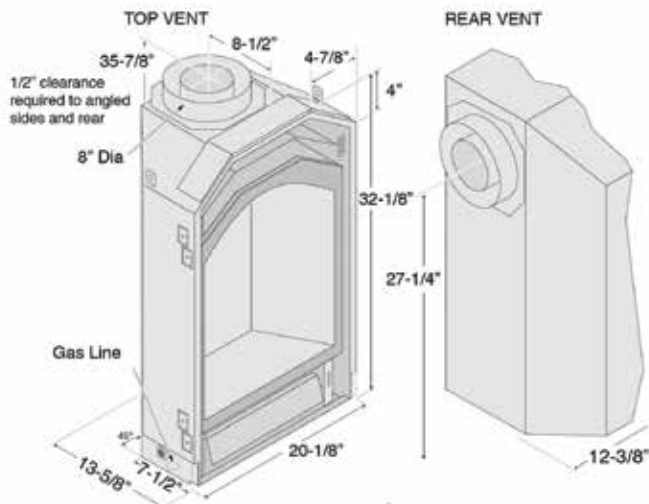
Front Width		Back Width	
Unit	Framing	Unit	Framing
36-1/4" (SS) 38-1/4" (CF)	36-1/2" (SS) 38-1/4" (CF)	28-1/2" (SS) 28-5/8" (CF)	36-1/2" (SS) 38-1/4" (CF)
Height		Depth	
Unit	Framing	Unit	Framing
33-1/4" (SS) 36-1/4" (CF)	38" (SS) 36-3/4" (CF)	16-3/4" (SS) 18-5/8" (CF)	17 1/4" (SS) 19-1/8" (CF)



\* Includes the required 1/2" (13mm) clearance.

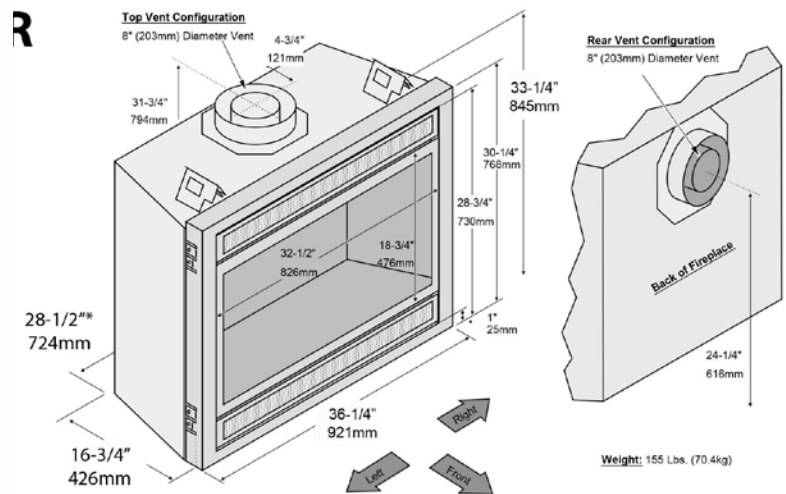
**B&B**  
TV/RV

Front Width		Back Width	
Unit	Framing	Unit	Framing
20-1/8"	20-1/4"	10-1/2"	20-1/4"
Height		Depth	
Unit	Framing	Unit	Framing
34-1/8"	34-1/4"	13-5/8" (TV) 12-3/8" (RV)	13-5/8" (TV) 12-3/8" (RV)



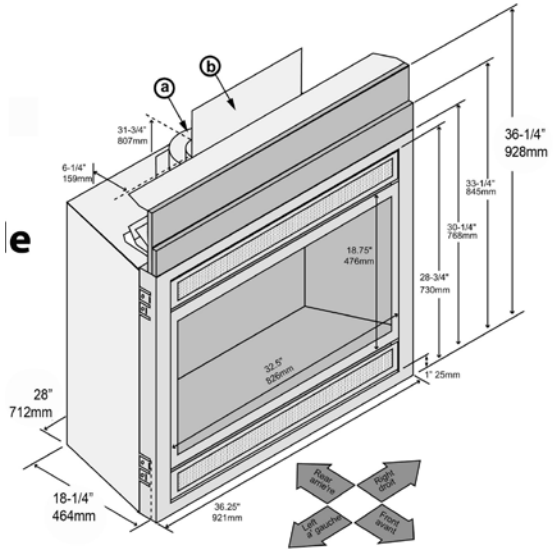
**564**  
DF

Front Width		Back Width	
Unit	Framing	Unit	Framing
36-1/4"	36-1/2"	28-1/2"	36-1/2"
Height		Depth	
Unit	Framing	Unit	Framing
33-1/4"	38"	16-3/4"	17-1/4"

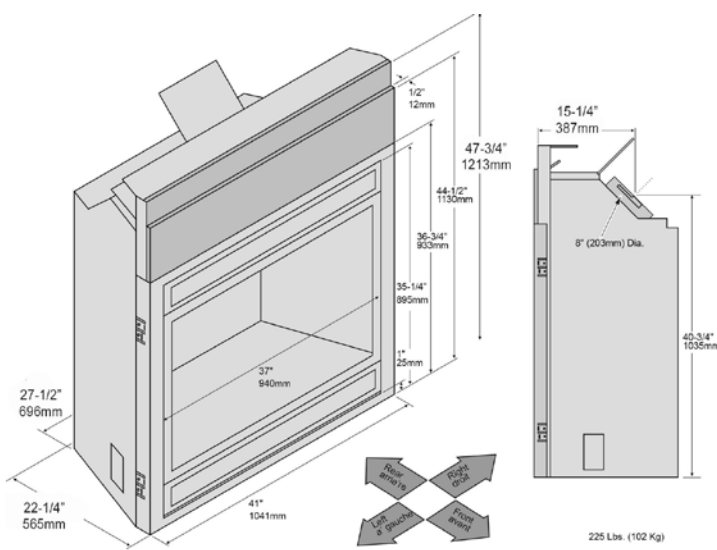


\* Includes the required 1/2" (13mm) clearance.

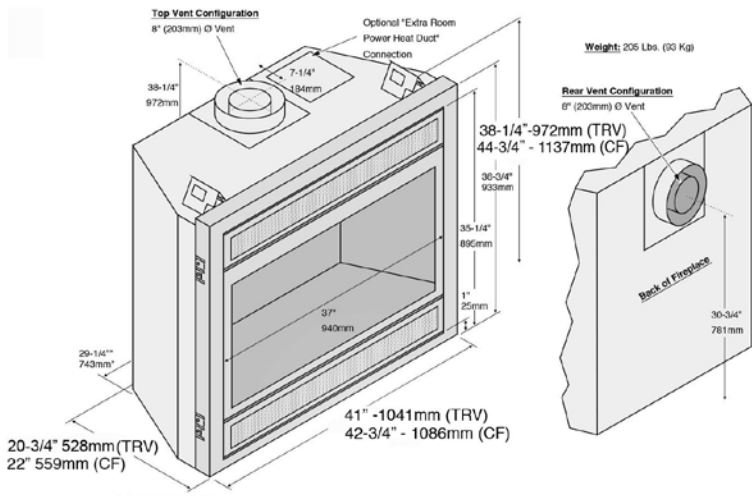
<b>564</b> HO	Front Width		Back Width	
	Unit	Framing	Unit	Framing
	36-1/4"	36-1/2"	28"	36-1/2"
	Height		Depth	
	Unit	Framing	Unit	Framing
36-1/4"	36-3/4"	18-1/4"	17 3/4"	



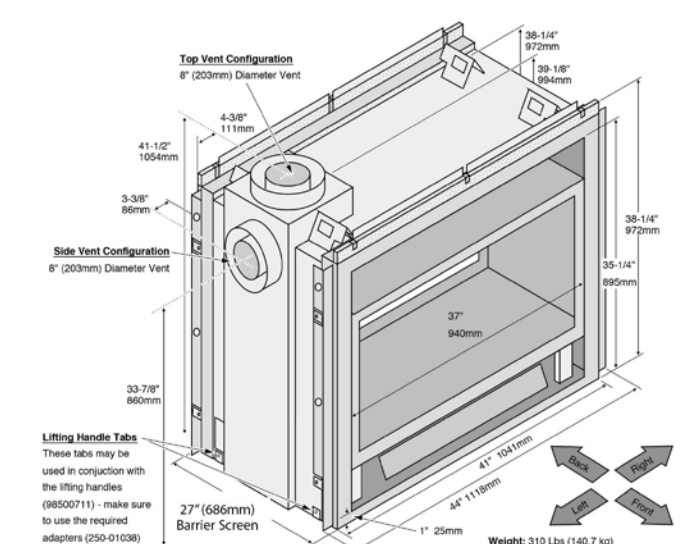
<b>864</b> HO	Front Width		Back Width	
	Unit	Framing	Unit	Framing
	41"	41-1/4"	27-1/2"	41-1/4"
	Height		Depth	
	Unit	Framing	Unit	Framing
47-3/4"	48"	22-1/4"	22-3/4"	



<b>864</b> TRV/CF	Front Width		Back Width	
	Unit	Framing	Unit	Framing
	41" (TRV) 42-3/4" (CF)	41-1/4" (TRV) 42-3/4" (CF)	29-1/4" (TRV) 29-1/4" (CF)	41-1/4" (TRV) 42-3/4" (CF)
	Height		Depth	
	Unit	Framing	Unit	Framing
38-1/4" (TRV) 44-3/4" (CF)	38-1/2" (TRV) 44-3/4" (CF)	20-3/4" (TRV) 22" (CF)	20-3/4" (TRV) 22-1/2" (CF)	



<b>864</b> ST	Front Width		Back Width	
	Unit	Framing	Unit	Framing
	44"	44"	44"	44"
	Height		Depth	
	Unit	Framing	Unit	Framing
38-1/4"	38-1/2"	27"	26"	





## Vent Heat To Other Rooms With The Power Heat Duct Kit

This venting option delivers heat off of the fireplace to additional zone(s) within your home. This allows you to heat more of your home more quickly. At the time of framing determine where you want to direct the heated air - upstairs, downstairs or anywhere in your home within 20 feet of the fireplace. You have the option of adding one Power Heat Duct Kit on the 864 TRV and 864 See Thru or up to two on the 564 High Output and 864 High Output. The Bed & Breakfast™, 564 Space Saver™ and 564 Diamond-Fyre™ models do not have the option of adding the Power Heat Duct Kit.

## Real World Warranty

Your gas fireplace is backed by up by a network of Specialty Hearth Dealers and certified factory trained installers. Fireplace Xtrordinair warrants our products to be free from defects in material and workmanship for a period up to seven years from date of purchase. All parts, electronics (except light bulbs), and labor are covered for a full two years. Trim and faces are covered for a period of two years. No other manufacturer's warranty can compare.

## Design Your Perfect Fire Online

Customize the right fireplace for you. The [www.fireplace.com](http://www.fireplace.com) website. The Fireplace Xtrordinair Fire Designer can help you customize your fireplace with an easy and fun website that helps you choose the right insert for the right space and for the right look.



## Add the Beauty of a Fireplace Xtrordinair Gas Fireplace to Your Outdoor Living Space

Outdoor living rooms and entertainment spaces are among the most requested room additions found in new home construction and remodels. A fireplace is the perfect accompaniment to any outdoor living space, as it provides warmth and comfort on those cool nights, as well as creates a relaxing ambiance and fun gathering place.

All of Fireplace Xtrordinair's gas fireplaces are approved for outdoor installation in a covered area. With our wide variety of fireplace styles, you'll be sure to find one that will complement your outdoor living space.



*\*Fireplace must be installed in a covered porch or protected by a roof overhang. Contact your local Fireplace Xtrordinair dealer if you have any questions about installing an outdoor fireplace.*

## Fireplace Xtrordinair Fireplace Venting

Fireplace Xtrordinair provides economical minimum 8" rear vent (horizontal termination) kits for all of our gas fireplaces.

**For 564 SS, CF, DF and 864 TRV, CF and ST:** Sku 98900168. Includes 3.9" pipe, high wind scone cap, and exterior filler plate.

**For 564 HO:** Sku 96200329. Includes 6" pipe, 90 degree elbow, wall thimble and high wind scone cap.

**For 864 HO:** Sku 96200316. Includes 6" pipe, 45 degree elbow, wall thimble and high wind scone cap.



fireplace**xtrordinair**™  
REDISCOVER FIRE

See our complete line of fireplaces  
Visit us online: [www.fireplace.com](http://www.fireplace.com)

We reserve the right to change and improve our product at any time without prior notification.

Please refer to the Owner's Installation Manual for complete installation requirements.

Photos and illustrations are for descriptive purposes only • Copyright © 3/2015

#98800241