

**20" Hopper:**

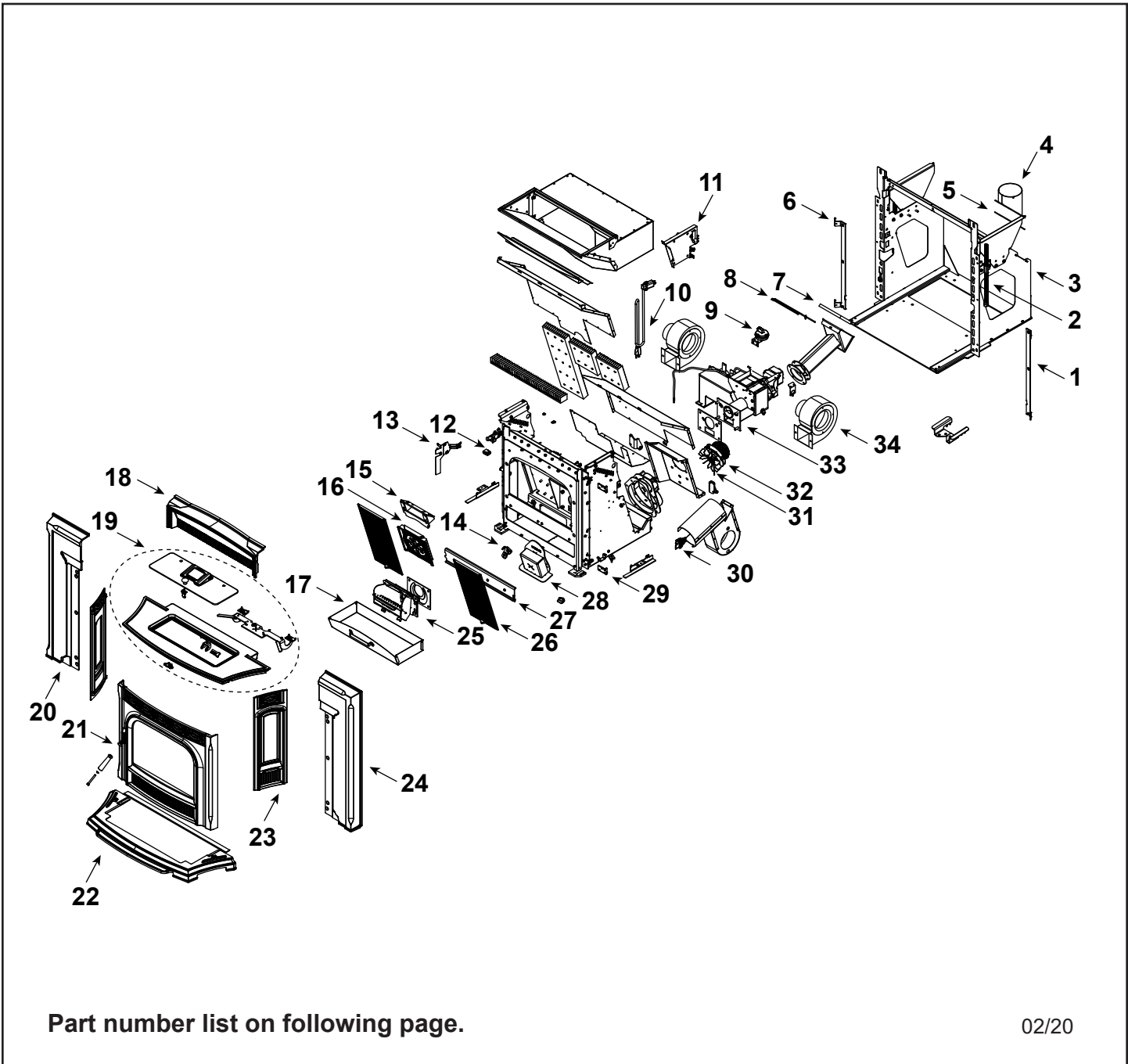
- 1-90-584200-1 (Black) (Beginning Manufacturing Date: July 2017)(Ending Manufacturing Date: Feb 2020)
- 1-90-584200-14 (Majolica Brown) (Beginning Manufacturing Date: July 2017)(Ending Manufacturing Date: Feb 2020)
- 1-90-584201-1 (Black w/Wireless) (Beginning Manufacturing Date: Feb 2020)
- 1-90-584201-14 (Majolica Brown w/Wireless) (Beginning Manufacturing Date: Feb 2020)

**22" Hopper:**

- 1-90-584220-1 (Black) (Beginning Manufacturing Date: July 2017)(Ending Manufacturing Date: Feb 2020)
- 1-90-584220-14 (Majolica Brown) (Beginning Manufacturing Date: July 2017)(Ending Manufacturing Date: Feb 2020)
- 1-90-584221-1 (Black w/Wireless) (Beginning Manufacturing Date: Feb 2020)
- 1-90-584221-14 (Majolica Brown w/Wireless) (Beginning Manufacturing Date: Feb 2020)

**24" Hopper:**

- 1-90-584240-1 (Black) (Beginning Manufacturing Date: July 2017)(Ending Manufacturing Date: Feb 2020)
- 1-90-584240-14 (Majolica Brown) (Beginning Manufacturing Date: July 2017)(Ending Manufacturing Date: Feb 2020)
- 1-90-584241-1 (Black w/Wireless) (Beginning Manufacturing Date: Feb 2020)
- 1-90-584241-14 (Majolica Brown w/Wireless) (Beginning Manufacturing Date: Feb 2020)



Part number list on following page.

IMPORTANT: THIS IS DATED INFORMATION. Parts must be ordered from a dealer or distributor. **Hearth and Home Technologies does not sell directly to consumers.** Provide model number and serial number when requesting service parts from your dealer or distributor.



**Stocked  
at Depot**

ITEM	Description	COMMENTS	PART NUMBER	Stocked at Depot
1	Cast Side Hinge	Right & Left	1-00-574075	
2	All Thread .500-13 x 12, Frame Jacking	Qty 2 req	3-31-00949	
	Jack Plate	Qty 2 req	1-10-574099W	
3	Mounting Frame Assembly		1-10-584031A	
	Roller hardware	4 sets	1-00-02243	Y
4	Pipe Stub for 4 in. Flex/PL w/gasket		1-00-574034	Y
5	Pipe Stub Plate Gasket		3-44-574045	Y
6	Cast Side Hinge	Right & Left	1-00-574075	
7	Docking Gasket Silicone		3-44-06108	Y
8	Thermister Probe (ESP Probe)		3-20-00844	Y
9	Differential Switch		3-20-6866	Y
	Silicone Tubing, 1/8"	5 Ft	1-00-5113574	Y
10	Power Cord - 14'		3-20-584024	Y
	Line Filter		3-20-803744	Y
11	Control Board Mounting Plate		1-10-584012A	
	Control Board		1-00-05372	Y
	Gasket, Hopper Top	20 ft	1-00-375501	Y
	Gasket, Hopper Throat		3-44-677185	Y
12	Wiring Harness		3-20-08888	Y
13	Line Filter Mounting Bracket		1-00-584034	
14	Combustion Cover Latch Assembly		1-00-574080	
15	Medallion Holder		1-10-574098W	Y
16	Cast Center Medallion		3-00-584027	Y
17	Ash Pan		1-10-574007A	Y
18	Cast Wing Center	Black Paint	4-00-574323P	Y
		Majolica Brown	1-10-574323-14	Y
19	Cast Top / Hopper Lid Assembly		See following page	
20	Cast Wing Left	Black Paint	4-00-574321P	Y
		Majolica Brown	1-10-574321-14	Y
21	Door Assembly		See following page	
22	Cast Bottom Ashlip	Black Paint	3-00-574318P	
		Majolica Brown	1-10-574318-14	
	Magnetic Latch Assembly w/3/16" Hole	2 Sets	1-00-08288	
23	Cast Side Panel, Qty 2 req	Black Paint	4-00-674054P	
		Majolica Brown	1-10-574054-14	
24	Cast Wing Right	Black Paint	4-00-574322P	Y
		Majolica Brown	1-10-574322-14	Y
25	Burn Pot Weldment		See following page	

Additional service parts on following page.

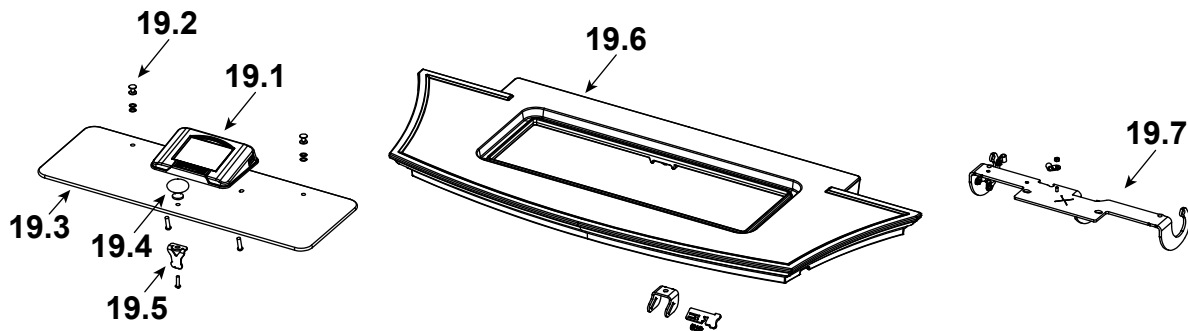
IMPORTANT: THIS IS DATED INFORMATION. Parts must be ordered from a dealer or distributor. **Hearth and Home Technologies does not sell directly to consumers.** Provide model number and serial number when requesting service parts from your dealer or distributor.



Stocked at Depot

ITEM	Description	COMMENTS	PART NUMBER	
26	Cast Heat Exchanger CVR	Qty 2 req	3-00-674050	Y
27	Cleanout Plate Assembly		1-00-574086	
	Cleanout Plate Gasket	12 Ft	1-00-10050	Y
28	Combustion Cover		1-10-574087A	
29	Hinge Plate	Qty 2 req	3-00-674047	
30	Spring Latches with hardware	Set of 2	1-00-00927	Y
31	Fan Blade	Commonly required for Combustion Blower replacement	1-10-574500A	Y
	Blower Mounting Screws (5 Sets)		1-00-832150	
32	Combustion Blower		1-00-02275	Y
33	Feeder Assembly		See following page	
34	Distribution Blower	Qty 2 req	3-21-33647	Y

### #19 Hopper Lid Assembly



19.1	Touch Control		1-00-777552	Y
	Cable Cover Gasket	Post HF2084013	3-44-777549	
19.2	Screw Post Kit	Set of 20	1-00-129004	Y
19.3	Touch Control Hopper Lid Glass		3-40-574365	Y
19.4	Hopper Lid Knob w/Screw	Black	1-00-02000-1	
19.5	Hopper Lid Latch		1-00-0669697	Y
19.6	Cast Top	Black Paint	4-00-584020P	
		Majolica Brown	1-00-584020-14	
19.7	Hopper Lid Hinge w/Hardware		1-00-584003	Y
	Gasket, 3/8 x 1/2	20 Ft	1-00-375501	Y
	Ball Plunger Retainer	6 Sets	1-00-5500	Y
	Hinge Pin Plate w/Hardware	1 Set	1-00-777560	
	Dowel Pin, 1/4 x 3/4	Pkg of 15	3-30-2015-15	
	Hopper Lid Latch Release Kit w/Hardware		1-00-584345	Y

Additional service parts on following page.

IMPORTANT: THIS IS DATED INFORMATION. Parts must be ordered from a dealer or distributor. **Hearth and Home Technologies does not sell directly to consumers.** Provide model number and serial number when requesting service parts from your dealer or distributor.



Stocked  
at Depot

ITEM	Description	COMMENTS	PART NUMBER	
<b>#21 Load Door Assembly</b>				
21.1	Door Assembly	Black Paint	4-00-674053A	Y
		Majolica Brown	4-00-674053-14A	Y
21.2	Air Grill		3-00-674052S	Y
21.3	Gasket, 3/8 4 Strand	30 Ft	1-00-00888	Y
21.4	Gasket, 3/16 Round w/PSA	10 FT	1-00-1186258229	Y
21.5	Glass w/Gasket		1-00-677000	Y
21.6	Glass Clips	Pkg of 4	1-00-249140	Y
21.7	Latch Retainer		2-00-674098S	
21.8	Latch Trim Plate ( Enamel Only )		2-00-674206P	
21.9	Wooden Handle w/Bolt	Pkg of 2	1-00-00247	
21.10	Door Latch, Painted		3-00-249119P	Y
	Door Latch Roller Hardware		1-00-05230	Y
<b>#25 Burn Pot Weldment</b>				
25.1	Burn Pot Weldment w/Cradle		1-00-574605	Y
25.2	Igniter Element		3-20-677200	Y
		Pkg of 10	1-00-677200	Y
25.3	Igniter Cradle		1-00-777907	Y
25.4	Burn Pot Cleanout Cover w/Wing Screws	2 sets	1-00-06623	Y
25.5	Thumb Screw, 1/4-20 x 5/8	Pkg of 10	3-31-782108-10	Y
	Gasket, Burn Pot		3-44-237639	Y
	Flame Guide		3-00-03000	Y

Additional service parts on following page.

IMPORTANT: THIS IS DATED INFORMATION. Parts must be ordered from a dealer or distributor. **Hearth and Home Technologies does not sell directly to consumers.** Provide model number and serial number when requesting service parts from your dealer or distributor.



Stocked  
at Depot

ITEM	Description	COMMENTS	PART NUMBER	
<b>#33 Feeder Assembly</b>				
33.1	Ultra Feeder Weldment		1-10-680021W	Y
33.2	Slide Plate Assembly		1-10-677121A	Y
33.3	Pusher Arm Pillow Block	Pkg of 4	3-31-3614087-4	Y
33.4	Gasket, UL Feeder Cover		1-00-677122	Y
33.5	5/16-18 wing screw	Pkg of 25	3-30-8012-25	
33.6	UL Feeder Pusher Arm		1-10-677187W	Y
33.7	UL Feeder Auger Assembly		3-50-00565	Y
33.8	Cam Block Assembly		1-10-777950A	Y
	Cam Bearing		3-31-3014	Y
33.9	Motor Mount w/Hardware		1-00-584035	Y
33.10	Pellet Feeder Gear Motor, 4 RPM		3-20-60906	Y
33.11	Bearing Flange w/Hardware		1-00-04035	Y
33.12	Feeder Air Crossover Kit		1-00-67900	Y
	9MM Silicone Tube	5 Ft	1-00-511427	Y
33.13	Gasket Ultra Air Intake	Pkg of 10	3-44-677160-10	Y
33.14	Pellet Air Intake Assembly		1-10-06810A	
33.15	Gasket Feeder Air Intake	Pkg of 6	3-44-72224-6	Y

Additional service parts on following page.

